

Installation instructions for coir wattle on slopes

- **On un-vegetated and disturbed slopes, less than 3:1**, we recommend using 9-in diameter coir wattles for sediment control. Rows of coir wattles should be placed 8 – 12 feet apart. Cut a 2-in deep trench and place the wattle in the trench. These wattles should be anchored with 18-in long oak stakes with a notch on the top and 8-in long metal staples. Place an oak stake in every 3 feet from the bottom side of the slope and a metal staple in every foot from the up side of the slope. This will provide good contact between the wattle and the ground and prevent undercutting. Coir wattles can easily be joined with coir twine to get to the desired length.
- **For un-vegetated and disturbed slopes, up to 2:1**, we recommend using a temporary mat such as BioD-Straw to cover the slope or cover with hydro mulch. Refer to the installation guide for blankets and mats on slopes. To break the sheet flow of water coming on the slope, install rows of 6-in diameter coir wattles placed 20-ft apart. Place 12-in long oak stakes with a notch every 3-ft from the bottom side of the slope and 6-in metal staples every foot from the upside of the slope. This will provide good contact between the wattle and the ground and prevent undercutting. Coir wattles can easily be joined with coir twine to get to desired length.
- **For un-vegetated and disturbed slopes, up to 1:1**, we recommend using a semi-permanent mat such as BioD-Mat 60 to cover the slope. Refer to the installation guide for blankets and mats on slopes. To break the sheet flow of water coming on the slope, install 9-in diameter coir wattles placed 30-ft apart. Place 18-in long oak stakes with a notch every 3-ft from the bottom side of the slope and 8-in metal staples every foot from the upside of the slope. This will provide good contact between the wattle and the ground and prevent undercutting. Coir wattles can easily be joined with coir twine to get to desired length.
- **For un-vegetated and disturbed slopes greater than 1:1**, we recommend using a semi-permanent mat such as BioD-Mat 70 to cover the slope. Refer to installation guide for blankets and mats on slopes. To break the sheet flow of water coming on the slope, place 9-in diameter coir wattles in every 25-ft apart. Place 18-in long oak stakes with a notch every 3-ft from the bottom side of the slope and 8-in metal staples every foot from the upside of the slope. This will provide good contact between the wattle and the ground and prevent undercutting. Coir wattles can easily be joined with coir twine to get to desired length.

FIGURE 1

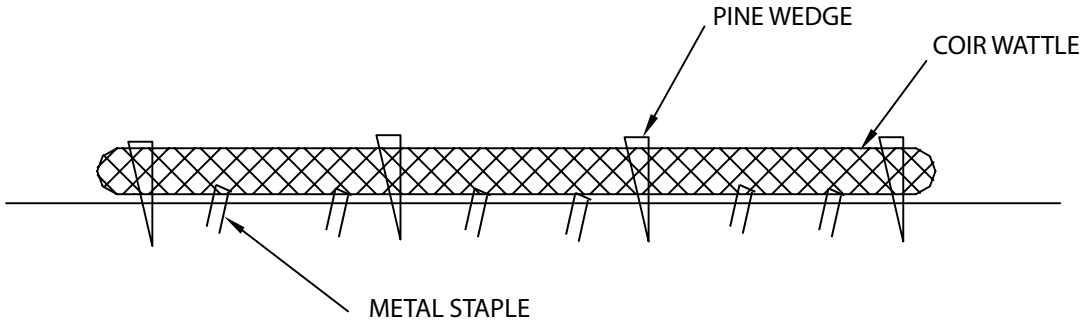
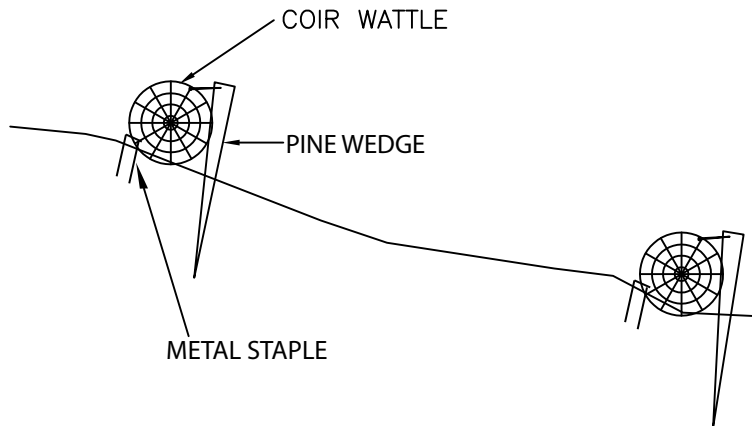
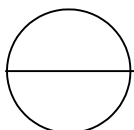


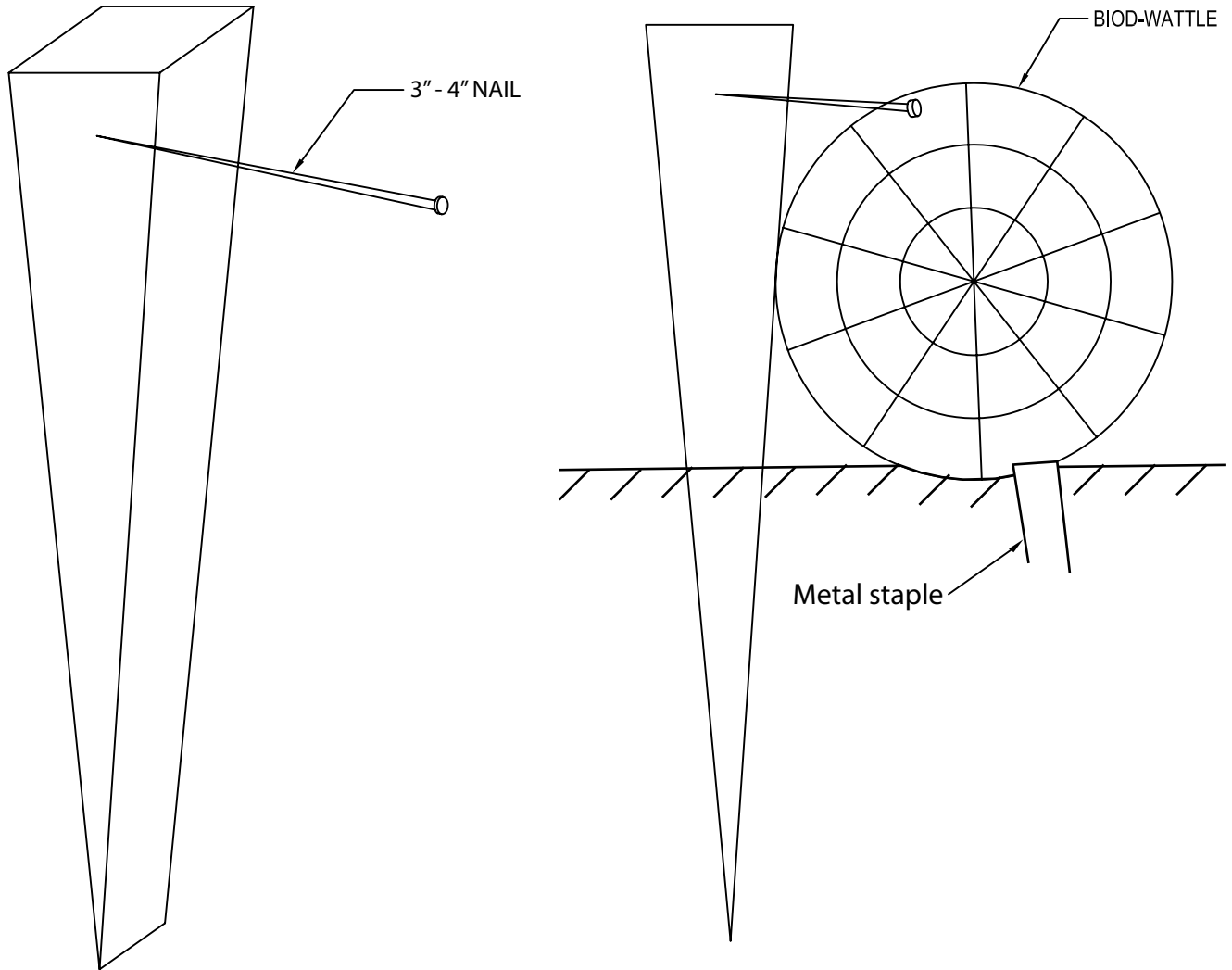
FIGURE 2



NOTES:

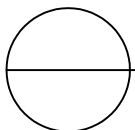
1. DO NOT SCALE DRAWING.
2. SELECT SUITABLE DIAMETER COIR WATTLE.
3. USE SUITABLE LENGTH ANCHORS.





NOTES:

1. DO NOT SCALE DRAWINGS.



ANCHORING COIR WATTLES WITH WEDGES