

# General Installation Instructions for Blankets and Coir Logs on Streambanks

- Grade the streambank to the desired level of gradient. The surface of the soil should be smooth and free of rocks, roots and other obstructions. Before placing the selected blanket, evenly apply lime, fertilizer, and suitable mix of seeds. Blanket will hold the seeds in place and support germination and seedling growth.
- Start installing the blanket from the top of the streambank by anchoring the blanket in a 6 in deep and 6 in wide anchor trench. Place the blanket, backfill and compact (Fig. 1A).
- Select a suitable blanket for the streambank (Table 1). Roll the blanket down the slope (recommended) or across the slope, if necessary. Anchor the open blanket edge using one row of suitable anchors (metal staples or wooden pegs) at 1.5 - 2 feet intervals. The middle of the blankets should be anchored using the suitable staple spacing according to the steepness of the streambank (Table 2). Always place anchors in a staggered pattern. Be sure to lay blankets loosely on the ground allowing a good contact between the soil and blanket.
- Use metal staples of gauge 11 or wooden pegs to anchor blankets. Recommend using 6 in. (minimum) long staples for temporary blanket types and 8 in. (minimum) long staples for semi-permanent and permanent mats. If wooden pegs are used, the minimum length should be 12 inches. Anchors should be long enough to provide a strong bond between the blanket and the ground. Required anchor length may vary depending on the soil condition. Sandy soils may require longer anchors.
- When blanket splicing is necessary, overlap blankets at least 8 inches. The up-slope blanket should be on the top. Use two rows of staples with a staggered pattern to anchor blanket joints (Fig. 1B). Overlap sides of blankets at least 6 in. and use anchors along the overlap at 12 in. spacing (Fig. 1C).
- At the bottom of the streambank, the blanket edge should be anchored to the ground properly with a 6 in deep and 6 in wide anchor trench at the toe. Place a suitable diameter coir log (roll) over the blanket at the toe and install the coir logs with pine wedges with a nail at the top. See the guide for anchoring (Table 3). For regular flow conditions, use wedges every 3 ft. Wedges should be installed from the water side to place the log at the toe. Drive the wedge all the way down till the nail is pressing the coir log well. Longer wedges may require for very soft soil conditions.
- Tie the ends of adjacent coir rolls together with 0.25-inch (6mm) diameter coir twines (BioD-Twine). Use extra loops of coir twine through the outer netting of adjacent coir rolls.
- This procedure should be altered to specific site conditions at the discretion of the site engineer / architect.

Table 1: General guide for blanket selection

Steepness of the bank	Suitable product
Slope > 1:1	BioD-Mat 90 BioD-Mat 70
Slope 2:1 -1:1	BioD-Mat 60 BioD-Mat 40
Slope 3:1 -2:1	BioD-OCF BioD-StrawCoco
Slope < 3:1	BioD-Straw JuteMat

Table 2: Recommended Staple Spacing

Steepness	L	D
>1:1 slope	3 ft.	2 ft.
2:1 slope	4 ft.	2 ft.
3: 1 slope	6 ft.	3 ft.
4:1 slope	8 ft.	3 ft.

Table 3: General guide for coir log anchoring

Size of the stream	Diameter of coir log	Anchor height	Anchor spacing
Large stream with heavy flow	20 in.	4 ft. min.	every 2 ft.
Large stream with moderate flow	16 in.	3 ft. min	every 2.5 ft.
Medium stream with moderate flow	12 in.	30 in. min	every 3 ft.
Medium stream with low flow	12 in.	30 in. min	every 3.5 ft.

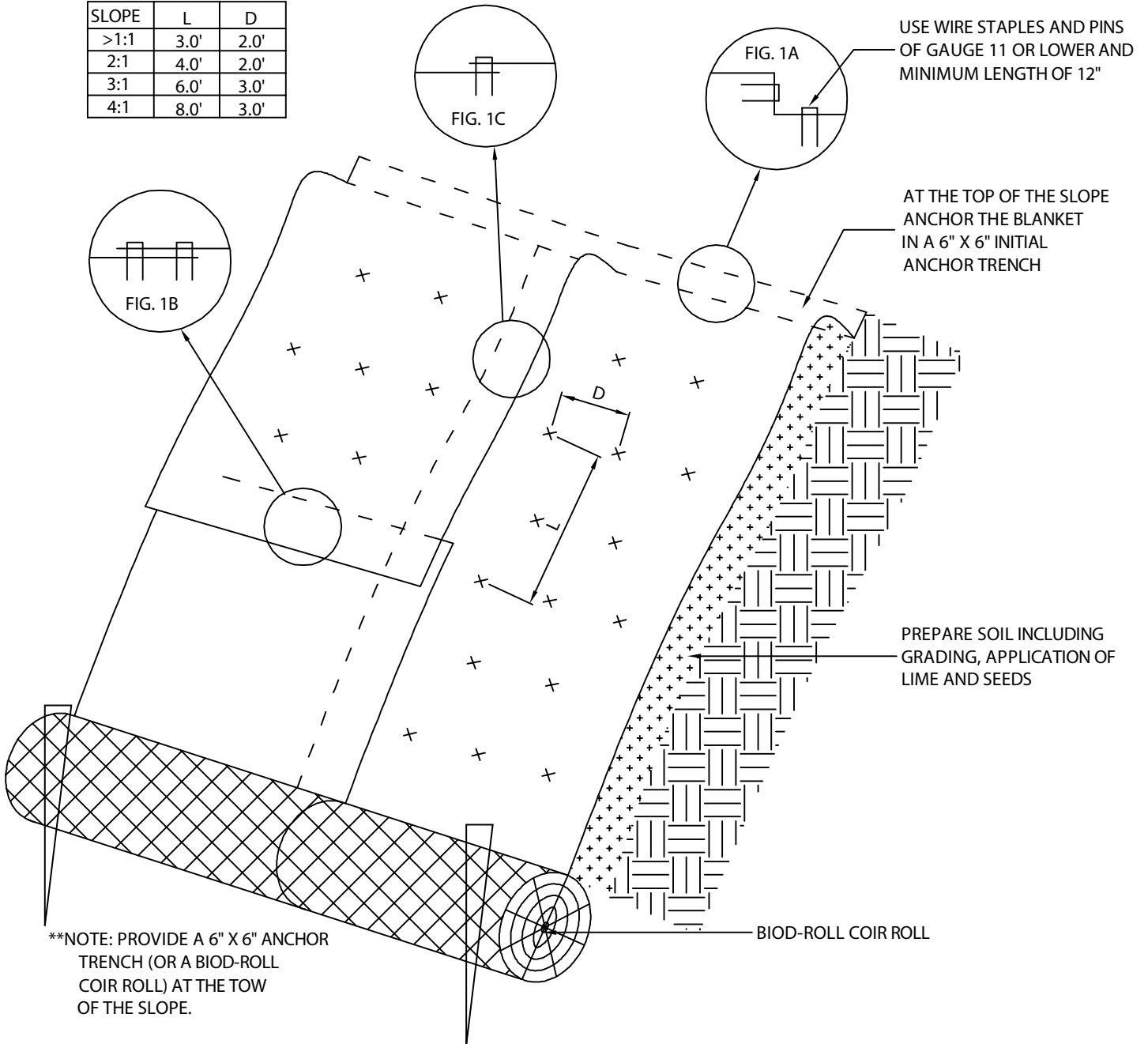


**Rolanka**<sup>TM</sup>  
International, Inc.

*The True Green Solution*

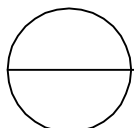
ROLANKA INTERNATIONAL INC.  
155 ANDREW DRIVE  
STOCKBRIDGE, GA 30281  
TOLL FREE: 1-800-760-3215  
PHONE: (770) 506-8211  
FAX: (770) 506-0391  
www.rolanka.com

SLOPE	L	D
>1:1	3.0'	2.0'
2:1	4.0'	2.0'
3:1	6.0'	3.0'
4:1	8.0'	3.0'



**NOTES:**

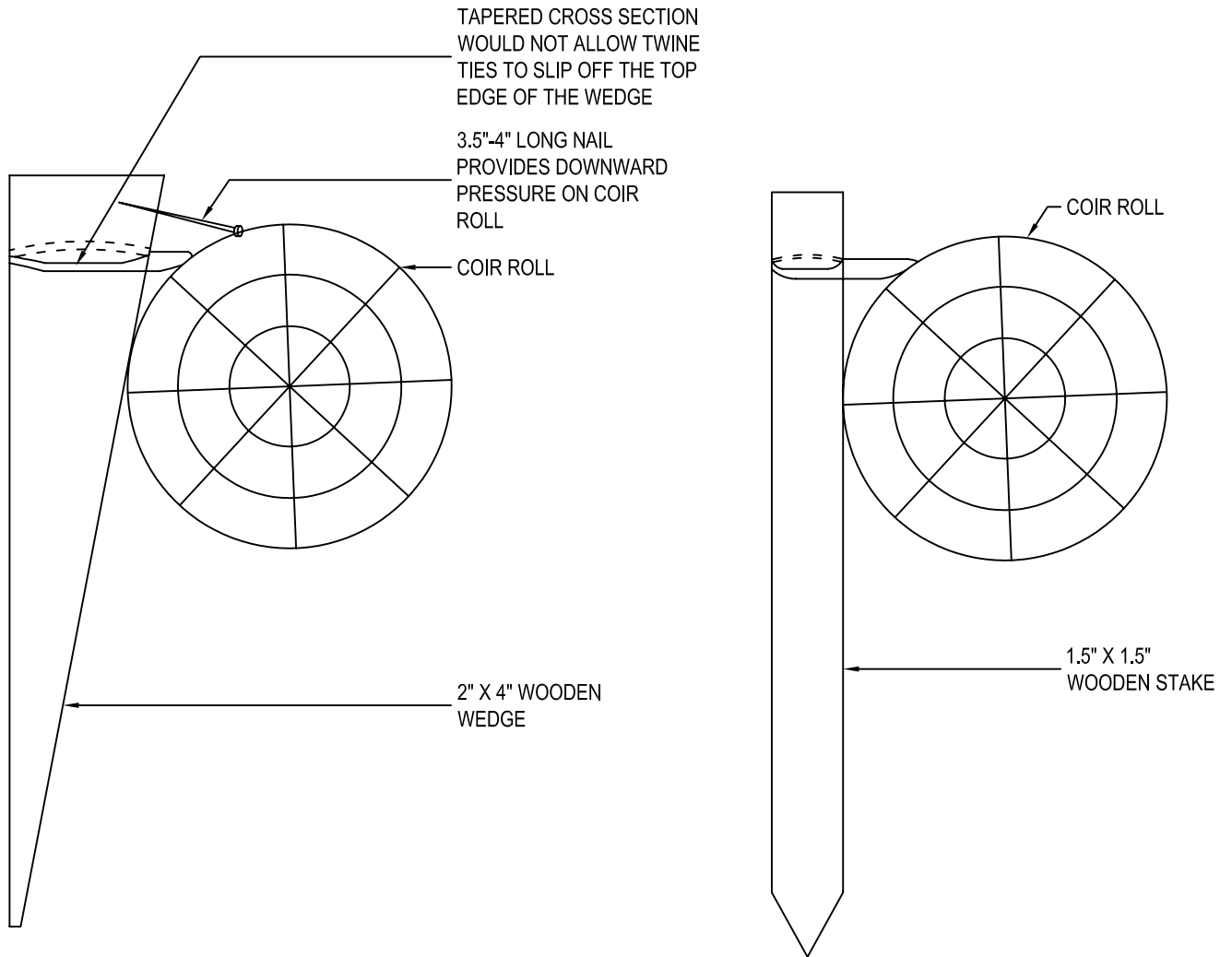
1. INSTALLATION TO BE COMPLETED IN ACCORDANCE WITH MANUFACTURER'S SPECIFICATIONS.
2. DO NOT SCALE DRAWINGS.
3. CONTRACTORS NOTE: FOR PRODUCT AND COMPANY INFORMATION VISIT [www.CADdetails.com/info](http://www.CADdetails.com/info) REFERENCE NUMBER 084-021.



**COIR BLANKETS AND LOGS ON STREAMBANKS**



ROLANKA INTERNATIONAL INC.  
 155 ANDREW DRIVE  
 STOCKBRIDGE, GEORGIA 30281  
 1-800-760-3215  
 PHONE: (770) 506-8211  
 FAX: (770) 506-0391  
 www.rolanka.com

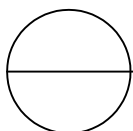


2" X 4" WOODEN WEDGE ANCHORS

1.5" X 1.5" WOODEN STAKE ANCHORS

NOTES:

1. DO NOT SCALE DRAWINGS.



WOODEN ANCHORS FOR COIR ROLL INSTALLATION