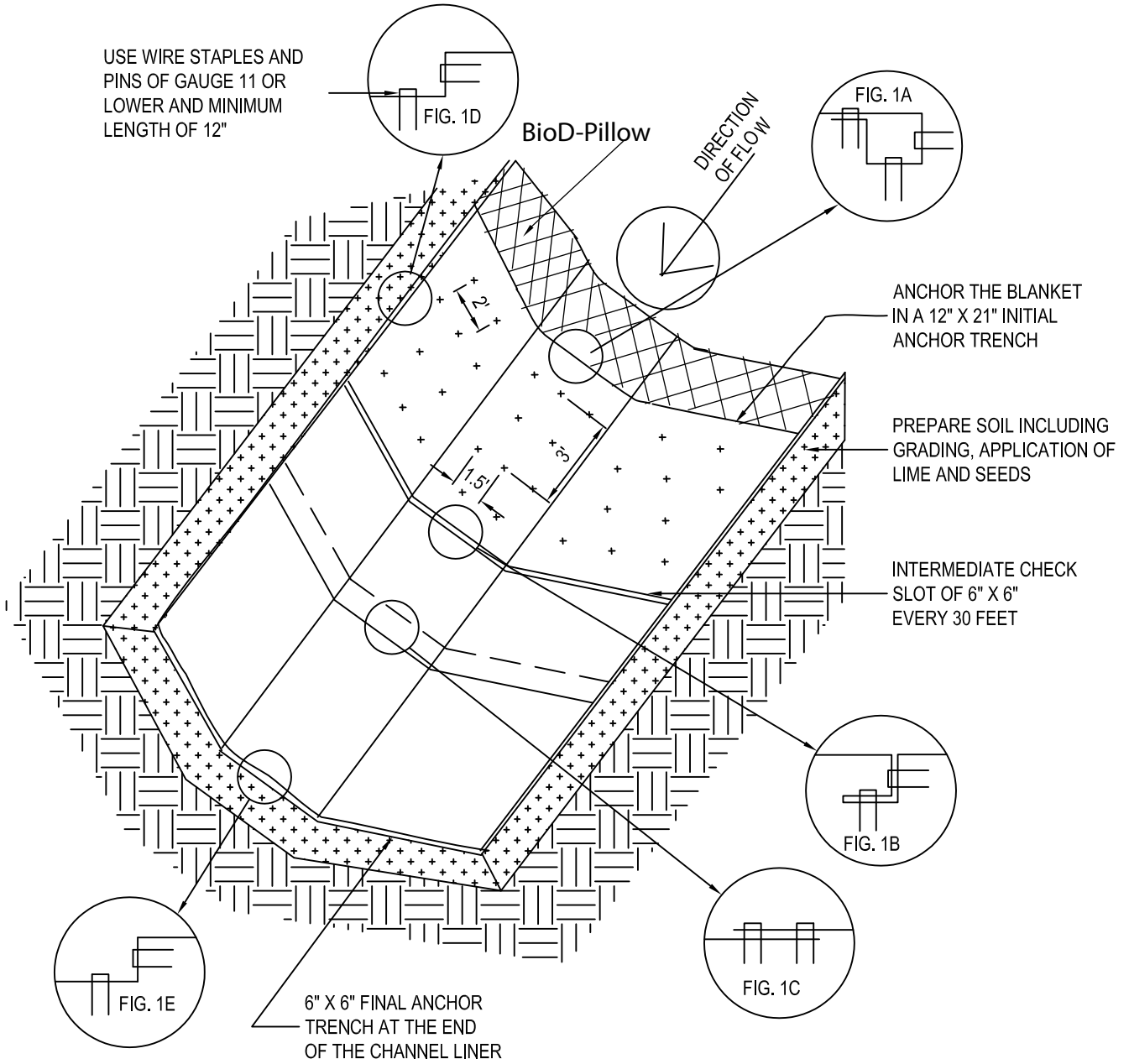


General Installation Instructions for Blankets In Channels with Natural Check dams

- Grade the channel to a trapezoidal shape as possible. Prepare the surface of the soil to be smooth and free of rocks, roots and other obstructions. Apply lime, fertilizer and seed mix appropriate for the location and time of the year.
- If the channel entrance is a concentrated flow such as a culvert, provide additional support to reduce the impact of the flow. We recommend installing BioD-Pillow to cover the culvert opening as shown . Be sure to lay the coir pillows loosely on the ground allowing a good contact between the soil and the pillow.
- Start installing a strong, durable BioD-Mat™ woven coir blankets from the upstream end of the channel by anchoring the blanket in a 6-in deep and 6-in wide initial anchor trench with minimum 8-in long metal staples. In environmentally sensitive areas, use minimum 12 in long wooden pegs.
- Place a suitable diameter coir wattle or coir siltcheck (Table 1) in the trench and on the blanket and anchor the wattle and the blanket to the ground tightly with metal staples placing every foot from the up-slope side and pine wedges with nail on the top in the downstream side (Figure 2).
- We recommend using 18 in long wedges with a nail on the top for 9 in diameter coir wattle or coir siltcheck and 24 in long wedges with a nail on the top for 12 diameter coir wattle or coir siltcheck. These pine wedges should be placed 3 ft. apart and the nail should completely be pressing the wattle to the ground. Anchor the check dam with 6 in. long metal staples as shown in Figure 2.
- Be sure to lay the blankets loosely on the ground allowing a good contact between the soil and the blanket. Start placing anchors from the bottom of the channel and go up on both banks. The anchors should be placed in a staggered pattern. This assures good contact between blanket and soil and prevents undercutting.
- Place a coir wattle or coir siltcheck check dams in every 20 -30 feet of the channel according to the water flow.
- Overlap the ends of each blanket roll at least 12-in with the up-slope blanket on the top. Use two rows of staples to anchor blankets. Six-inch spacing with a staggered pattern is recommended. Overlap sides of blankets at least 12-in and place two rows of staples along the overlap at 6-in spacing. The open edges and the sides of the blanket must be anchored in a 6 in x 6 in trench and back fill.
- Complete installing the channel liner with a 6 in deep and 6 in wide final anchor trench at the end of the channel and anchor the liner in the trench with suitable anchors and place a final coir wattle or coir siltcheck check dam in the trench and on the blanket
- The procedure should be altered at the discretion of the site engineer / architect to meet the need of individual site conditions.

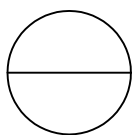
Table 1: General guide for product selection

Size of the stream	Channel liner	Check dam
Flow velocity about 16 fps	BioD-Mat 90	BioD-Watl 12 or BioD-SiltCheck 12
Flow velocity about 12 fps	BioD-Mat 70	BioD-Watl 9 or BioD-Siltcheck 9
Flow velocity less than 12 fps	BioD-Mat 60 with mulch	BioD-Watl 6

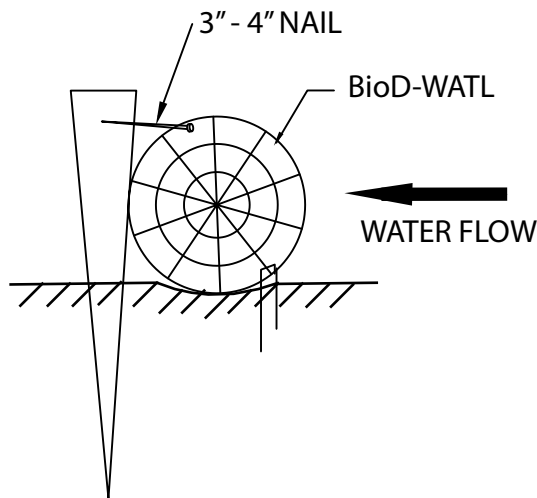
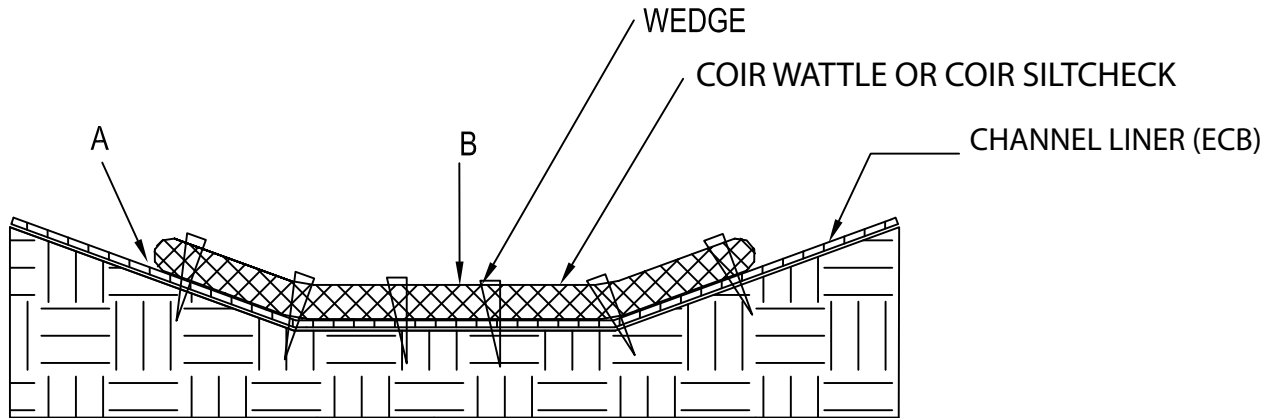


NOTES:

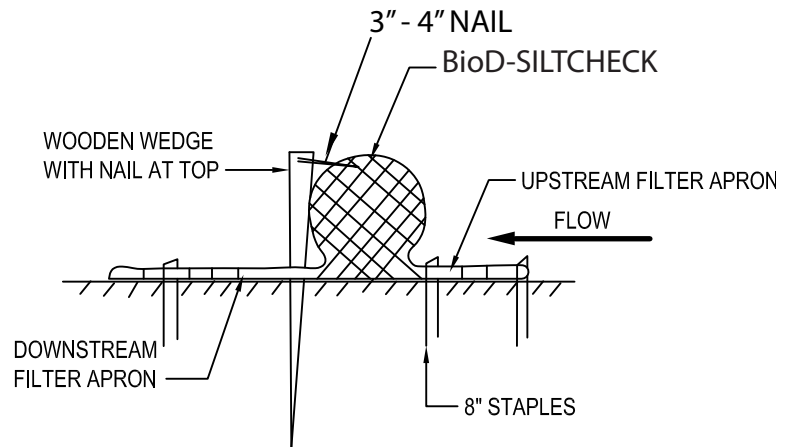
1. DO NOT SCALE DRAWING.



INSTALLATION OF TRM AND BLANKET FOR CHANNELS



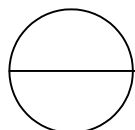
COIR WATTLE CHECK DAM



COIR SILTCHECK CHECK DAM

NOTES

1. DO NOT SCALE DRAWINGS.
2. CHANNEL BOTTOM SHOULD BE LINED WITH A EROSION CONTROL BLANKET.
3. USE COIR WATTLE OR COIR SILTCHECK CHECK DAMS.
4. POINT A SHOULD BE HIGHER THAN POINT B.



PLACEMENT OF COIR WATTLE OR SILTCHECK CHECK DAMS ON CHANNELS